

# QUICK OPERATION GUIDE



# CONTENTS

<b>BASIC INSTRUCTIONS</b> .....	<b>4</b>
<b>SAFETY INSTRUCTIONS</b> .....	<b>5</b>
Caution.....	5
Before Use .....	6
<b>GENERAL CONTROLS AND PARTS</b> .....	<b>7</b>
General Controls.....	7
Rear Exterior.....	8
Specific Controls.....	9
Indicators Illustrate.....	11
<b>PLACING NOTES</b> .....	<b>12</b>
<b>ERROR MESSAGES AND SOLUTION</b> .....	<b>13</b>
<b>SPECIFICATIONS</b> .....	<b>15</b>
<b>THE CARTON CONTAINS</b> .....	<b>15</b>

## BASIC INSTRUCTIONS

Thank you for you purchasing this banknote sorter!

We hope users can read this quick operation guide carefully before operate this sorter.

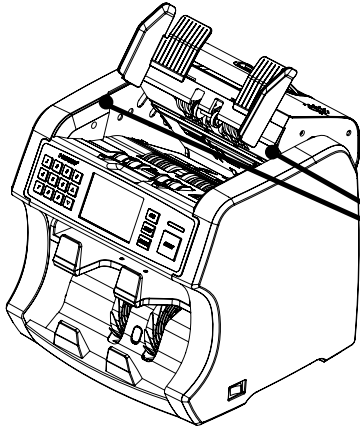
Pls keep this manual properly for in case of any use in the future.

Equipped with full-line sensor, this sorter can accurately analyze the properties of each note to truly minimize the risk of accepting counterfeit banknotes, intended to create a more robust approach while managing the cash.

It has been designed with the maximum flexibility for software, sensor, and interface selection, allowing operators to handle these functions by themselves, without any consuming tasks involvement.

# SAFETY INSTRUCTIONS

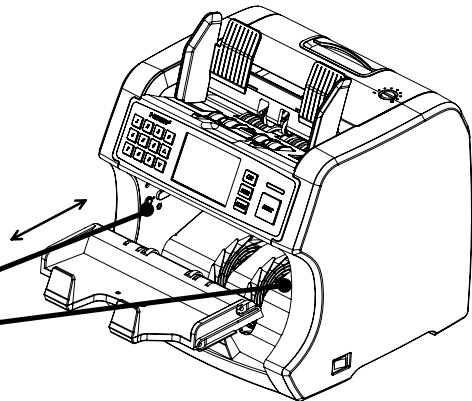
## Caution



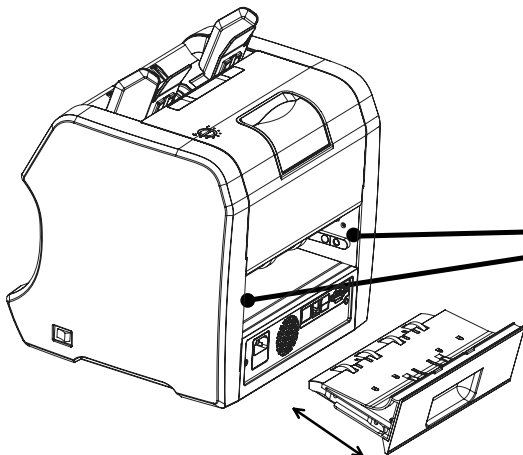
When opening and closing the top part of machine, be cautious of the fingers nipped



When opening and closing the reject pocket of machine, be cautious of the fingers injured



When opening and closing the rear part of machine, be cautious of the hands injured



## Before Use

### Installation



This product is designed for indoor use, please do not install outdoors.



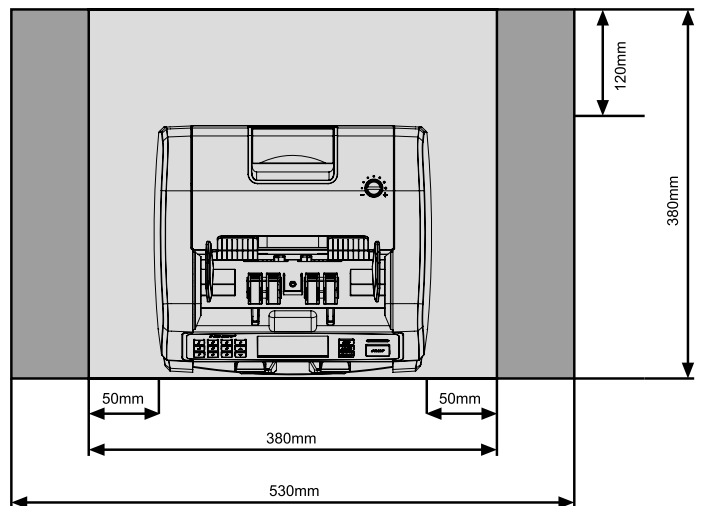
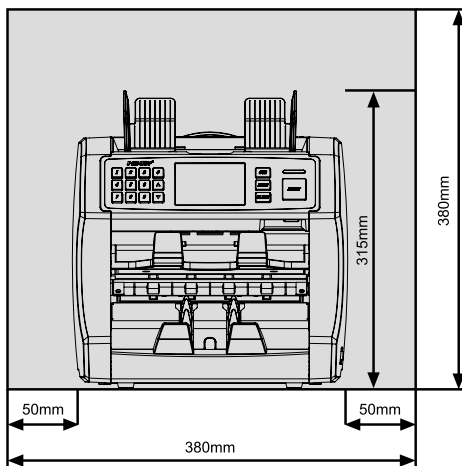
Please do not install the machine where cannot bear the weight of the product.



Do not install the machine in the tilt or uneven places.

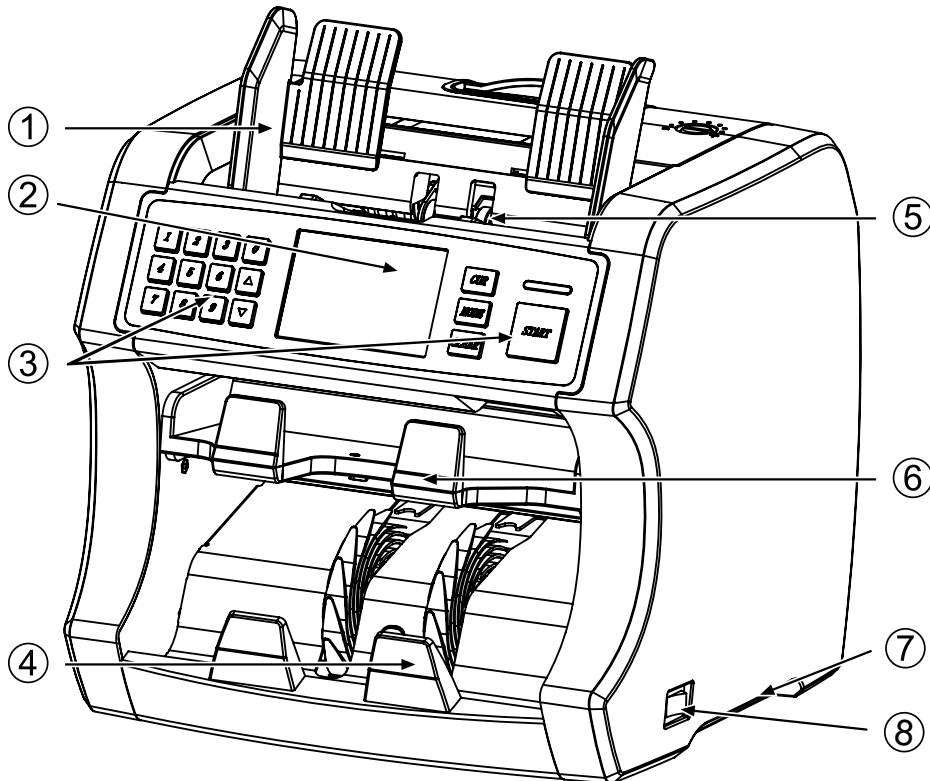


When installing the machine, please leave enough space to make sure that the machine can free open and close for smooth operation.



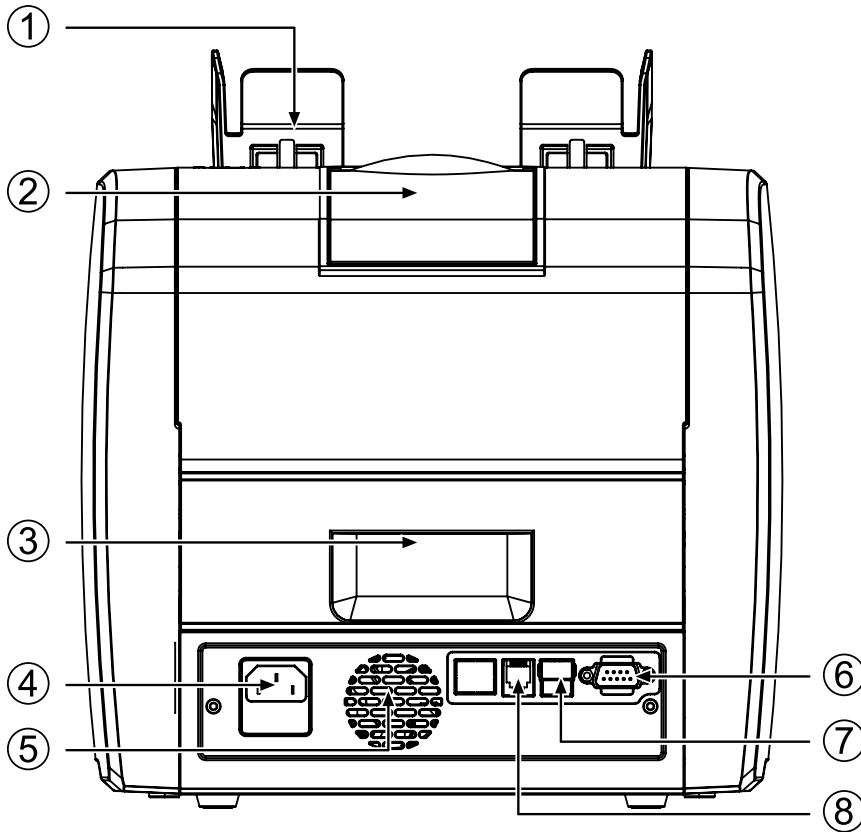
# GENERAL CONTROLS AND PARTS

## General Controls



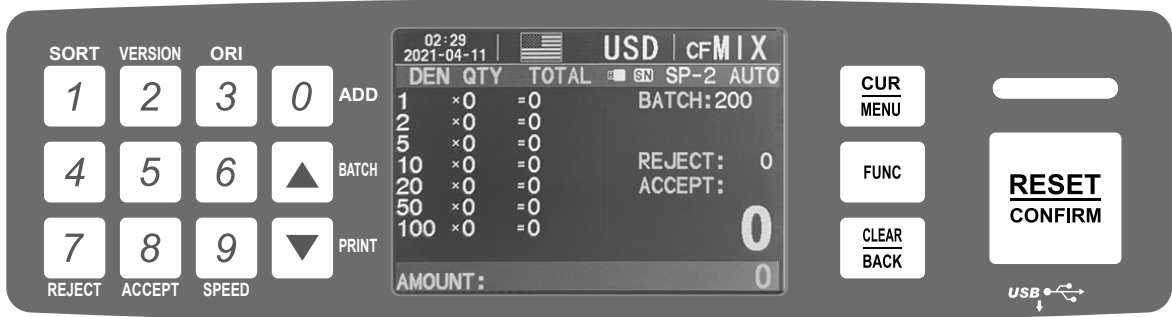
- ① Hopper Guiders: To guide the notes to be feed and counted properly
- ② Main Display : To show the counting results, error messages and list of setting.
- ③ Function Control Panel: Use to operate and make set of the unit.
- ④ Receive Stacker: The notes counted will stacked
- ⑤ Hopper Plate : Place to feed notes
- ⑥ Reject Stacker: To stack the reject notes.
- ⑦ Holding Groove : To hold and transfer the machine.
- ⑧ Switch: To turn on and off the machine

## Rear Exterior



- ① Adjust Screw : It fixed by default to ensure counting smoothly.
- ② Opening Cover: To open the top cover of machine.
- ③ Holder: To remove the real part of machine.
- ④ Power Socket: For plug in the power cord.
- ⑤ Fan: The function for cooling
- ⑥ RJ11 External Display Port: To connect the external display.
- ⑦ Printer Port: To connect to the printer.
- ⑧ RJ11 External Display Port: To connect the external display.

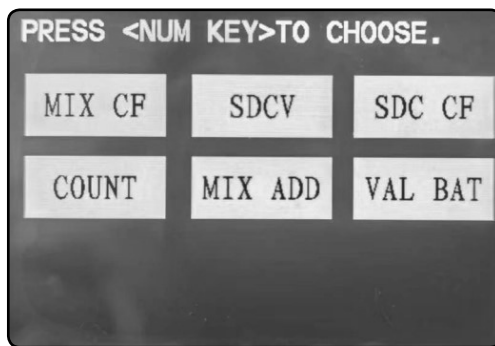
## Specific Controls



To select the currency



To select the working mode



**MIX CF mode:** value mix original money and detect counterfeits

**SDCV mode:** separate different denomination from the same denomination

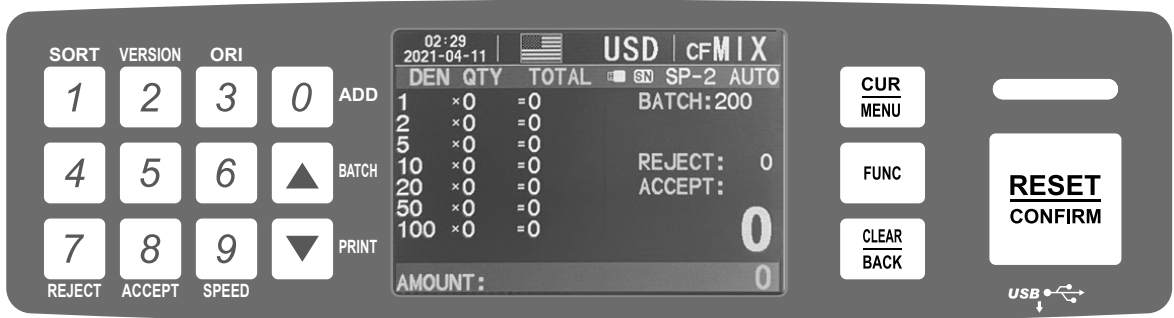
**SDC CF mode:** separate different version from the same denomination

**COUNT mode:** count piece of money, without counterfeit detection

**MIX ADD mode:** value mix original money, detect counterfeits, and accumulate counting result

**VAL BAT mode:** count exact total value of money that user want to get

## Specific Controls



To Clear counting data by pressing the key for 3 seconds.



Short press to start or stop the machine from working



Short press this button, switch on/off ADD function



Short press this button, enable sort denomination function (SDCV mode)



Short press this button, enable sort version function (SDC CF mode)



Short press this button, enable/disable FACE/ORI function



Long press this button, switch on/off serial number function



Long press this button, select auto count/manual count function



Short press this button, check reject note report




Short press this button, check original note report



Short press this button, select counting speed



Short press this button: switch on batch function, then press numeric buttons “0-9” to set batch number, short press  to confirm batch setting.

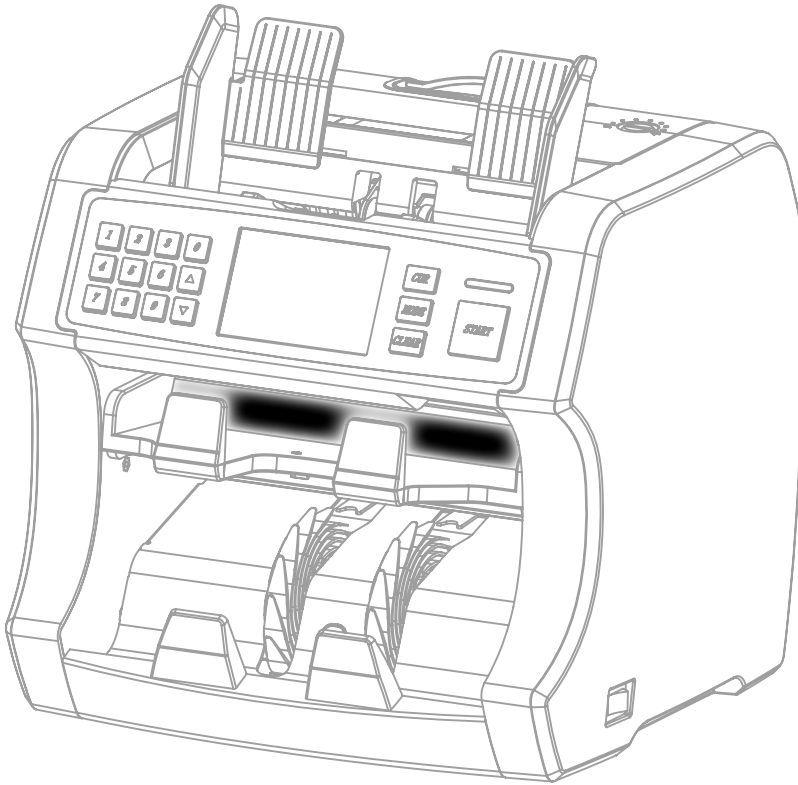
In reports: short press this button can turn over the pages of reports



Short press this button: printing counting result

In reports: short press this button can turn over the pages of reports

## Indicators Illustrate



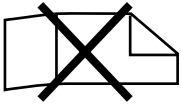
**Power Indicator:** The light is red when machine is power on and it will turning to green after the system is going stand by.

**Reject Stacker Indicator:** The light will keep blinking when there is any notes come to the reject stacker.

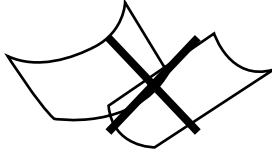
## PLACING NOTES

Do not count damp or severely damaged notes.

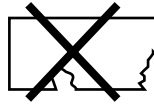
Do not count broken, deformation notes which may cause jammed.



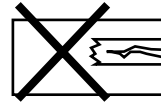
Folded



Curled



Torn



Adhesive

Check whether on a bill or mixed with a paper clips, stitching needle, rubber bands etc. to avoid the counting error or notes jammed.



Clip



Needle

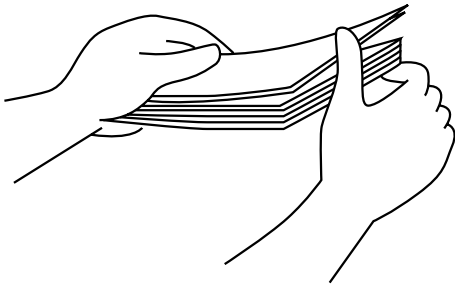


Rubber

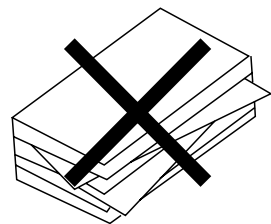
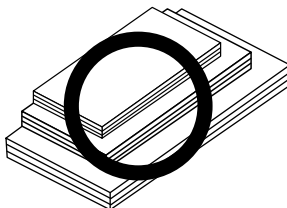
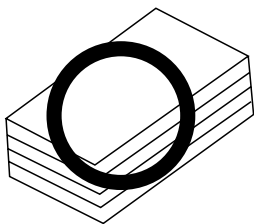


Coins

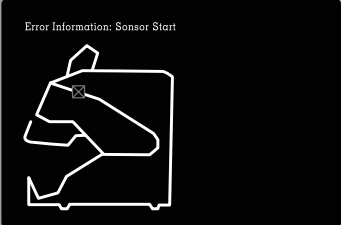
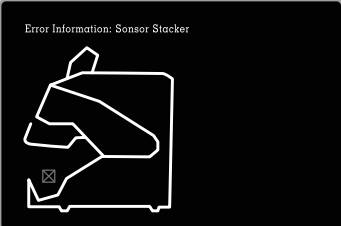
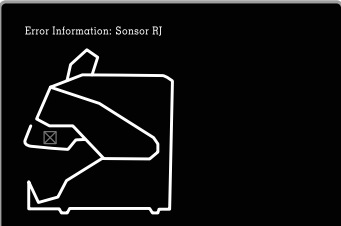
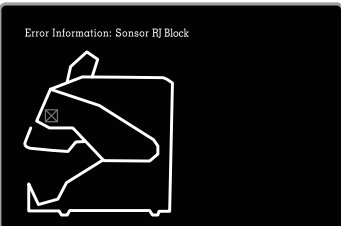
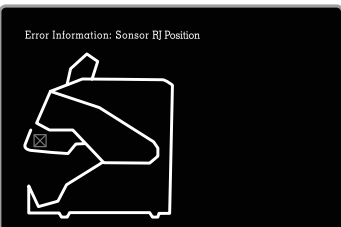
After fully expanded notes alignment, put notes on the hopper in orderly.

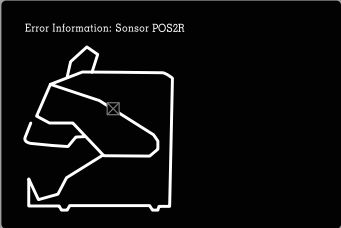
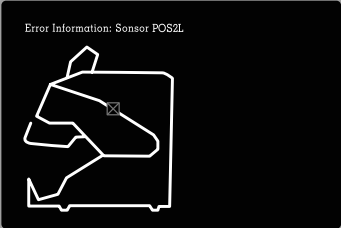
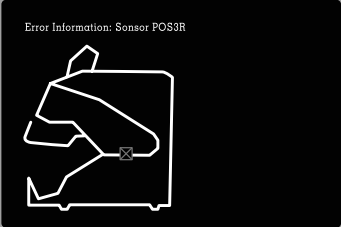
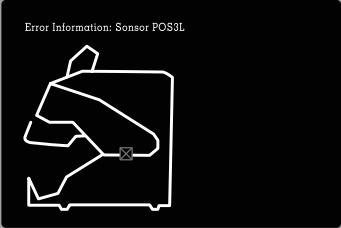
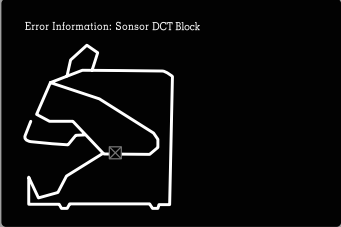


Place the notes orderly in the correct way shows below



## ERROR MESSAGES AND SOLUTION

Messages	Solution
<p>Error Information: Sensor Start</p> 	<p>Error with the start sensor.            Bills on the hopper before the machine turn on, check the hopper and remove the bills from the hopper.            Check the start sensor and clean the sensor.</p>
<p>Error Information: Sensor Stacker</p> 	<p>Error with the stacker sensor.            Remove the bills from the hopper.            Check and clean the stacker sensor.</p>
<p>Error Information: Sensor RJ</p> 	<p>Error with the reject stacker sensor.            Remove the reject suspicious bills from the reject sensor.            Check and clean the reject stacker sensor.</p>
<p>Error Information: Sensor RJ Block</p> 	<p>Notes get jammed in the reject pocket,open the reject pocket,remove the notes and press START.</p>
<p>Error Information: Sensor RJ Position</p> 	<p>The wrong position of the reject pocket, replace the reject pocket again properly.</p>

Messages	Solution
<p>Error Information: Sensor POS2R</p> 	<p>Problem with the POS2R sensor. Open the machine, then check and clean the POS2R sensor</p>
<p>Error Information: Sensor POS2L</p> 	<p>Problem with the POS2L sensor. Open the machine, then check and clean the POS2L sensor</p>
<p>Error Information: Sensor POS3R</p> 	<p>Problem with the sensor POS3R. Open the machine, then check and clean the POS3R sensor</p>
<p>Error Information: Sensor POS3L</p> 	<p>Problem with the POS3L sensor. Open the machine, then check and clean the POS3L sensor</p>
<p>Error Information: Sensor DCT Block</p> 	<p>Notes get jammed in the path of sorting area,open the reject pocket,remove the notes and press START .</p>

## SPECIFICATIONS

<b>Feed System:</b>	<b>Roller friction system</b>
<b>Counterfeit Detection</b>	<b>UV, MG, IR, IMAGE</b>
<b>Hopper Capacity</b>	<b>Max. 500 notes</b>
<b>Stacker Capacity</b>	<b>Max. 200 notes</b>
<b>Reject Capacity</b>	<b>Max. 80 notes</b>
<b>Available Currencies</b>	<b>USD, EUR, GBP, LOCAL (OPTION)</b>
<b>Countable Note Size</b>	<b>60 X 85 X 0.08mm ~ 100 X 190 X 0.12mm</b>
<b>Display</b>	<b>3.5 Inch TFT LCD</b>
<b>Power supply</b>	<b>100 ~ 240V DC, 50/60Hz</b>
<b>Power consumption</b>	<b>Max. 50W</b>
<b>Dimensions(mm)</b>	<b>280(W) X 260(D) X 315 (H)</b>
<b>N.W.</b>	<b>10.0 Kg</b>
<b>G.W.</b>	<b>12.0 Kg</b>
<b>Interface</b>	<b>USB</b>
	<b>LAN</b>
	<b>RJ11</b>
<b>Options</b>	<b>Remote Display</b>
	<b>Thermal Printer</b>

## THE CARTON CONTAINS

1. Banknote Sorter
2. External Display
3. Power Cord
4. User's Manual
5. Microfiber Towel
6. CIS Adjust Paper

